

# AURORA

## LOW SMOKE TABLE BARBECUE



AURORA

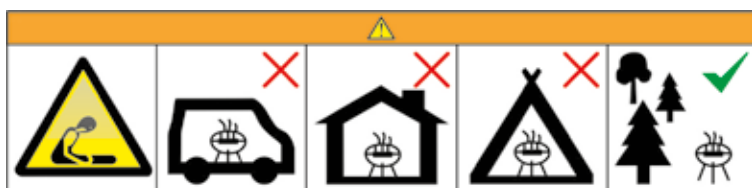


AURORA MIRROR



GB

INSTRUCTION MANUAL



Do not use the barbecue in enclosed and/or residential areas, e.g. buildings, tents, trailers, RVs and boats. Risk of carbon monoxide poisoning.

# CONTENTS

<b>ABOUT THIS TABLE BARBECUE</b>	<b>3</b>	<b>FEATURES AURORA MIRROR</b>	<b>8</b>
<b>SYMBOLS IN THESE INSTRUCTIONS</b>	<b>3</b>	SAFETY NOTES LED AMBIANCE LIGHT GRATE LIFTER	
<b>UNPACKING THE TABLE BARBECUE</b>	<b>4</b>	<b>CLEANING THE TABLE BARBECUE</b>	<b>9</b>
SAFETY NOTES PARTS DESCRIPTION / DELIVERY CONTENTS BASIC DESIGN		SAFETY NOTES	
<b>OPERATING THE TABLE BARBECUE</b>	<b>6</b>	<b>DISPOSING THE TABLE BARBECUE</b>	<b>9</b>
SAFETY NOTES BATTERY OPERATION POWERBANK OPERATION IGNITING THE CHARCOAL		<b>ACCESSORIES</b>	<b>10</b>
		<b>GUARANTEE</b>	<b>11</b>
		<b>MANUFACTURER</b>	<b>12</b>

# ABOUT THIS TABLE BARBECUE

Congratulations on your purchase of this Enders product!

Read and observe this instruction manual and the safety instructions before assembling and starting the device for the first time. Use the appliance only as described in these instructions so as to avoid any injuries or damage.

Please keep these instructions for future reference. If the appliance should ever change ownership, these instructions should also be given to the new owner.

**We hope you enjoy using your Enders device.**

# SYMBOLS IN THESE INSTRUCTIONS



This symbol represents the signal word **CAUTION** and alerts you of any possible injury or damage to property, as well as damage to the device.



Do not use a **knife** or similar sharp object when opening the package in order to avoid scratching the appliance.



Useful **tips** and **information**.

# UNPACKING THE TABLE BARBECUE

## SAFETY NOTES



■ Risk of death due to suffocation/swallowing of small parts. Keep the packaging material away from children and dispose of it immediately. Keep any small parts out of the reach of children.

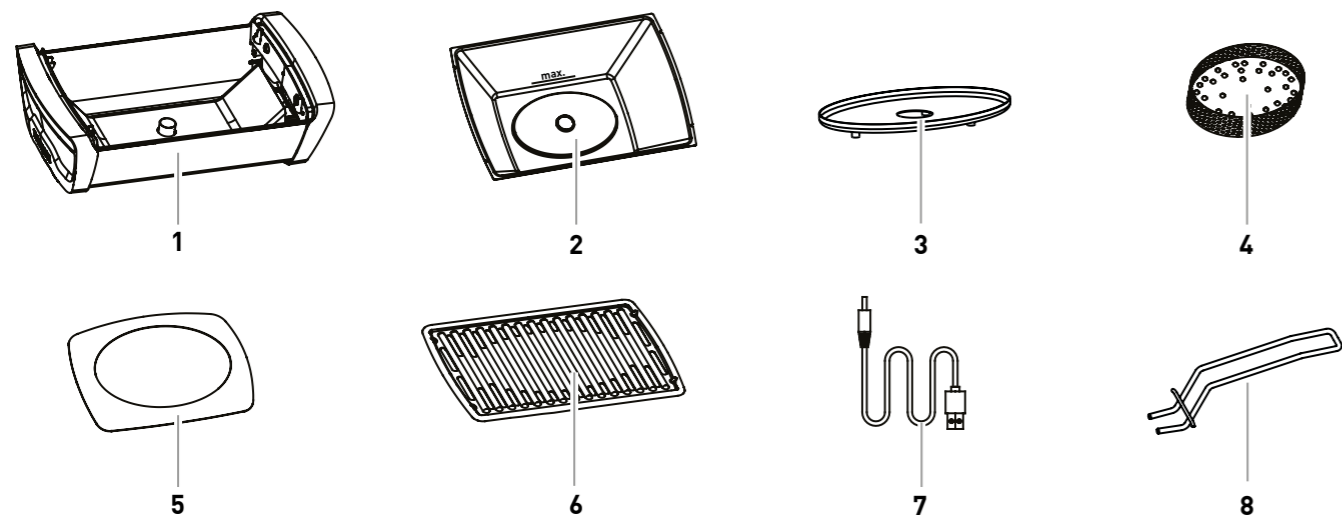
■ Remove packaging material and protective plastic wraps from all parts before beginning assembly.



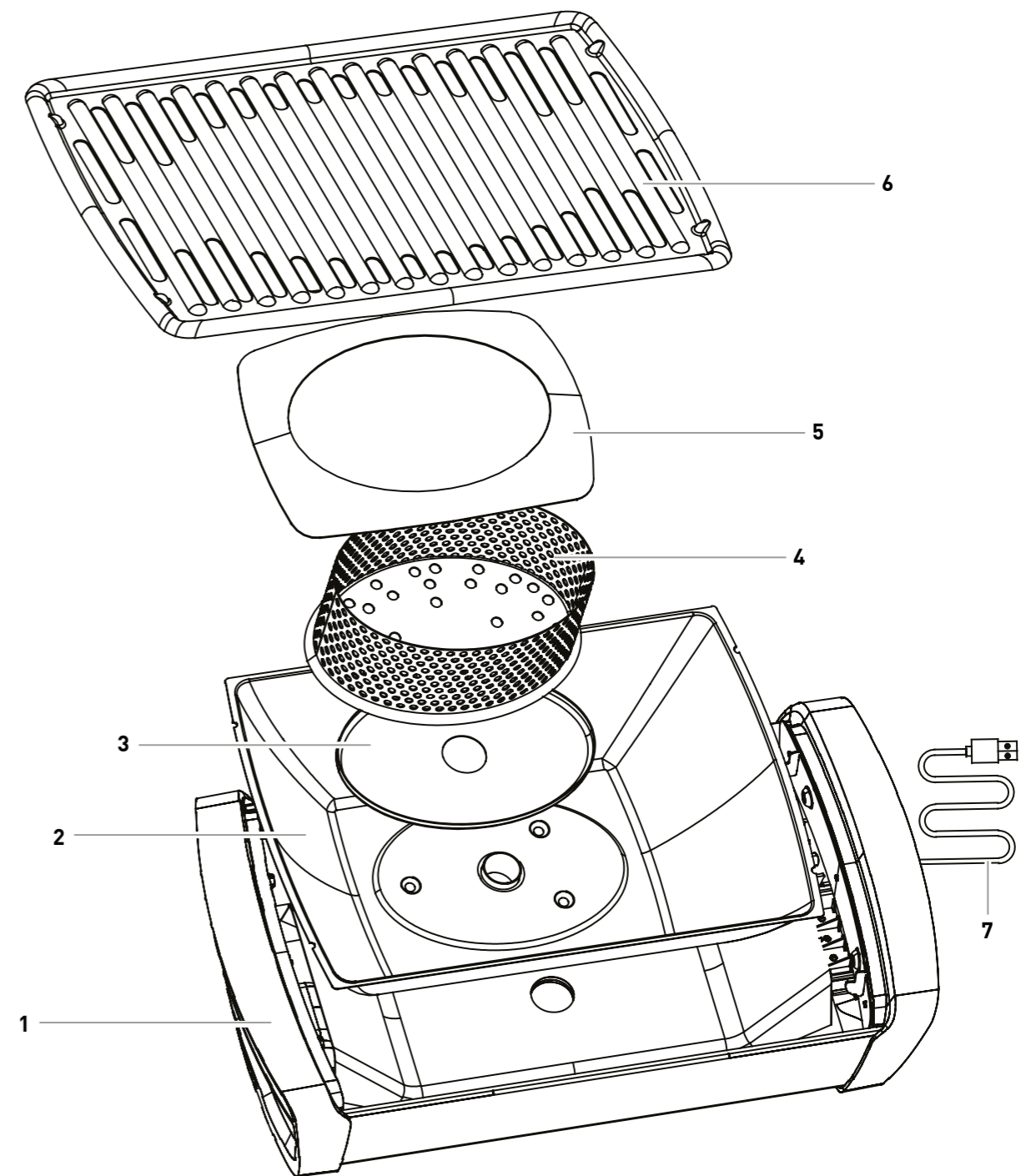
## PARTS DESCRIPTION / DELIVERY CONTENTS

No.	Description AURORA	Quantity
1	Body	1
2	Reflector trough	1
3	Ignition tray	1
4	Charcoal container	1
5	Grease guard	1
6	Enamelled grill rack	1
7	USB cable (5 V DC)	1

No.	Description AURORA MIRROR	Quantity
1	Body	1
2	Reflector trough	1
3	Ignition tray	1
4	Charcoal container	1
5	Grease guard	1
6	Enamelled cast grating	1
7	USB cable (5 V DC)	1
8	Grate lifter	1



## BASIC DESIGN



# OPERATING THE TABLE BARBECUE

## SAFETY NOTES



### PLEASE OBSERVE BEFORE USE

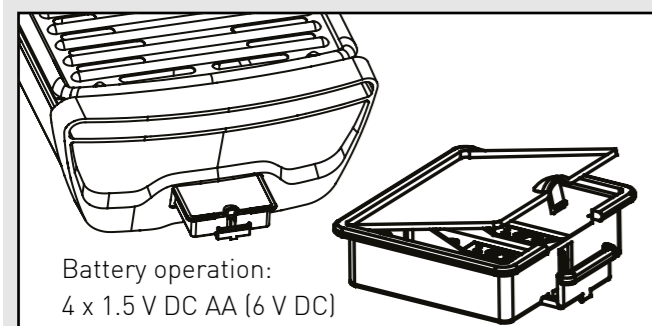
- PLEASE NOTE! This barbecue gets very hot and must not be moved during operation!
- Do not use in enclosed spaces! When barbecuing indoors, there is the risk of poisoning due to carbon monoxide.
- CAUTION! Do not use any spirits or petrol to ignite or reignite! Only use fire lighters that comply with EN 1860-3!
- PLEASE NOTE! Keep children and pets away!
- PLEASE NOTE! For safety reasons, the device may only be ignited with ignition paste. Make sure that no igniting paste gets into the air duct. Do not use a charcoal starter or similar!
- Do not remove the charcoal from the coal container after lighting.
- Never leave the hot barbecue unattended.
- Never touch metallic parts. These can be very hot.
- Make sure that the grate always rests properly on the supports.

- Never use the table barbecue without the grease guard (part no. 5).
- Remove excess grease/marinade before barbecuing food. This does not affect the taste of the food and is simply required to prevent grease fires.
- Make sure that the grease dripping from the grilled food never exceeds the "Max" mark, so as to prevent a grease fire and to avoid grease from getting into the interior of the barbecue.
- Allow the barbecue to cool fully before cleaning.
- Always select a safe and level surface and a suitable location for grilling.
- Do not transport the device when warm.
- We recommend heating up the barbecue unit before the first use and letting the charcoal smoulder for at least 30 minutes.
- The charcoal container has a capacity of max. 150 g for Ender's beech charcoal.
- Never use this barbecue near flammable objects.
- Do not use sprays in the vicinity of the device.
- Ensure that live parts do not come into contact with water.
- The enamelled cast grates should not come into contact with highly acidic foods.

## BATTERY OPERATION

### RISK OF FIRE AND EXPLOSION

- Ensure safe handling of the batteries: Only commercially approved AA batteries in flawless condition may be used.
- PLEASE NOTE: Do not use rechargeable batteries. The temperature in the battery case can be very high.
- PLEASE NOTE: Only change the batteries after the device has cooled down.

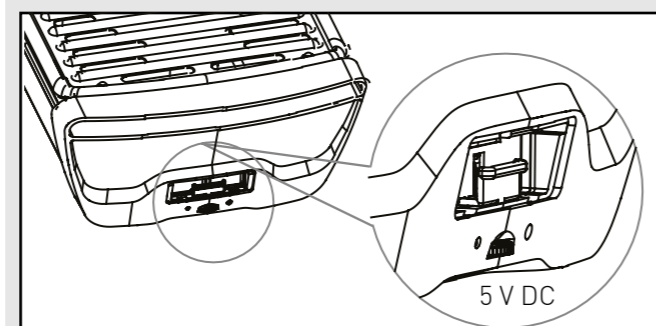
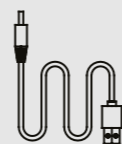


Alternatively, the table barbecue can also be operated with a certified powerbank.

## POWERBANK OPERATION

### RISK OF FIRE AND EXPLOSION

- PLEASE NOTE: Do not place the power bank too close to the long side of your table barbecue.



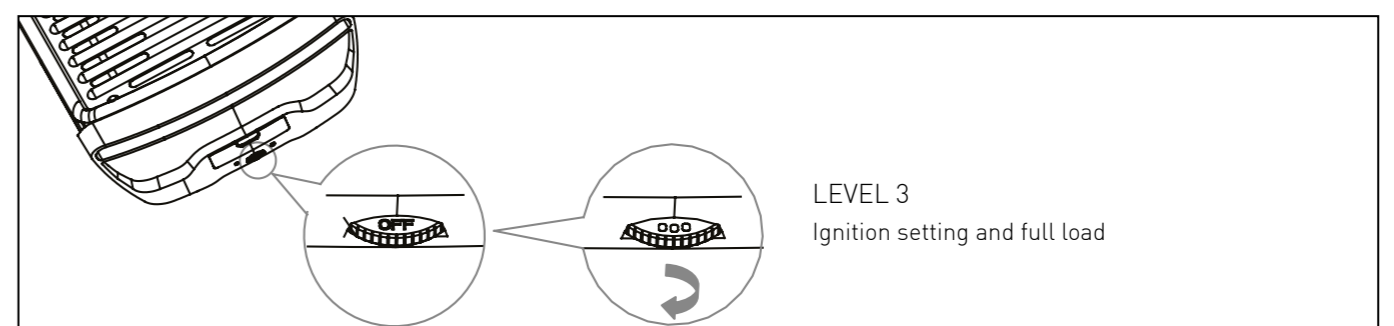
## IGNITING THE CHARCOAL



1. Open the fastener of the battery case on the outside of the barbecue. To lock or unlock the battery case, press lightly against the handle. The battery case can be pulled out to the front for removal. Insert four AA batteries, ensuring that the polarity is correct. Slide the battery case back into the side panel and close it.
2. Fill the charcoal container completely to the edge with Enders beech charcoal (max. 150 g).
3. Spread a ring of Enders ignition paste roughly 10 mm wide around the hole in the ignition tray (approx. 20 ml). The ignition tray should be in place in the recesses provided for it.
4. Switch on the fan's rotary knob on the outside and turn it to the highest setting at first (three-point position).

To make sure the flame does not get suffocated during the ignition process, the fan must remain on until the charcoal is fully smouldering.

5. Ignite the ignition paste. Do not reach into the open flame.
6. Place the filled charcoal container together with the grease tray on the ignition tray. Ensure that the charcoal container is placed evenly over the ignition tray.
7. Place the grill rack on the rack holders on the outsides. Ensure that the grill rack is placed evenly.
8. The charcoal should fully smouldering after about 10 minutes, and the AURORA is ready for use. You can adjust the heat at the rack with the knob on the side.



## FEATURES AURORA MIRROR

### SAFETY NOTES



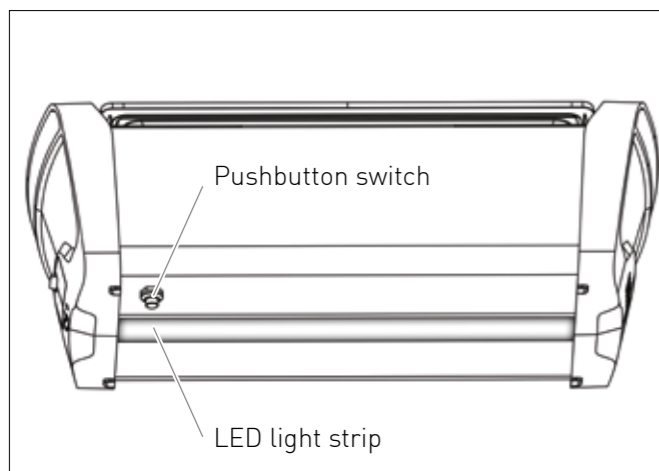
- PLEASE NOTE: Do not switch the LED ambient light on and off during operation!

- Ensure that live parts do not come into contact with water.
- The enamelled cast grates should not come into contact with highly acidic foods.

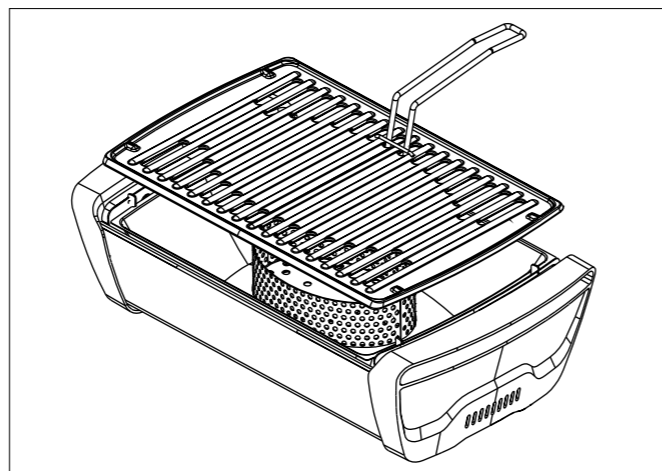


- The LED light can be switched on and off via a push-button located below the device.

### LED AMBIANCE LIGHT



### GRATE LIFTER

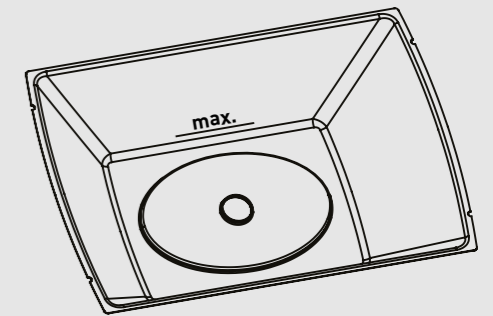


## CLEANING THE TABLE BARBECUE

### SAFETY NOTES



- Despite careful processing of all individual parts, individual components may have sharp edges. Always wear protective gloves in order to avoid injury.
- Hot surface: Before cleaning the charcoal barbecue, wait until it has had sufficient time to cool.
- Do not use any flammable cleaning materials.
- Ensure that live parts do not come into contact with water.



- Make sure that the grease dripping from the grilled food never exceeds the "Max" mark, so as to prevent a grease fire and to avoid grease from getting into the interior of the barbecue.



- Thoroughly clean the barbecue after each use.
- Do not use abrasive and chlorine-based cleaning agents.
- Use a mild detergent and warm water to clean the varnished body and plastic parts. Then dry the surface with a soft cloth.
- Dirt and grease residue can be conveniently removed from the reflector trough, charcoal container, grease guard and the ignition tray with Enders Grill Cleaner. All four parts are made of stainless steel and thus also suitable for the dishwasher.

- To clean the grill grate, we recommend using Enders Grill Rack Cleaner. Do not put the grill rack in the dishwasher.
- Allow the barbecue to dry fully prior to the next use.

## DISPOSING THE TABLE BARBECUE



The product packaging is made of recyclable materials, which can be submitted to a recycling facility. Please separate them appropriately and dispose of them in the collection bins provided.

If you wish to dispose of the appliance, please do not do so with the household waste. Ask your local waste disposal company or municipal administration for information as to the options of environmentally friendly and resource-preserving disposal.



Empty batteries must be disposed of in accordance with the statutory provisions (BattG), meaning they must be returned to the collection centres provided by the retailers. Empty batteries must not be disposed of with household trash.

Dispose of the used charcoal only in metallic or other non-flammable containers suitable for this purpose. Do not put charcoal in plastic containers or other flammable containers.

# ACCESSORIES

## IGNITION PASTE 200 ML



Item no. 1386



## BEECH CHARCOAL 1 KG



Item no. 1383



### AURORA BAG

The Aurora bag with its "gym bag" look allows you to conveniently transport your barbecue from A to B. The included transport cover keeps grilling dirt away from the inside of the bag.

- The bag is made from robust and easy-to-clean nylon
- Individually adjustable straps allow a high wearing comfort



Item no. 1389

# GUARANTEE



We offer a **2 year warranty** on the function of the appliance. The warranty is contingent upon proper use of the unit and official proof of purchase including the date the unit was bought.

**The warranty becomes null and void after expiration of the guarantee period or immediately if independent modifications are performed on the appliance.** Manipulation of components sealed by the manufacturer or its representative is strictly forbidden!

If, despite our quality control measures, your product should display a defect, please contact Enders directly and do NOT return it to the retailer. This enables us to process your inquiry quickly. Please use the service form stored on our website for that purpose.

Service form:  
<http://www.enders-germany.com/de/service/>

**Please complete and keep warranty card and proof of purchase for further reference!**

Attach proof of purchase

Model name: \_\_\_\_\_

Manufacturer part number \_\_\_\_\_

Serial number (see back of appliance) \_\_\_\_\_

Purchase date \_\_\_\_\_

Point of purchase \_\_\_\_\_

# MANUFACTURER

**Enders Colsman AG**

Brauck 1

58791 Werdohl

Tel. 02392 978230

**For product improvement, we reserve the right to  
technical and colour changes.**